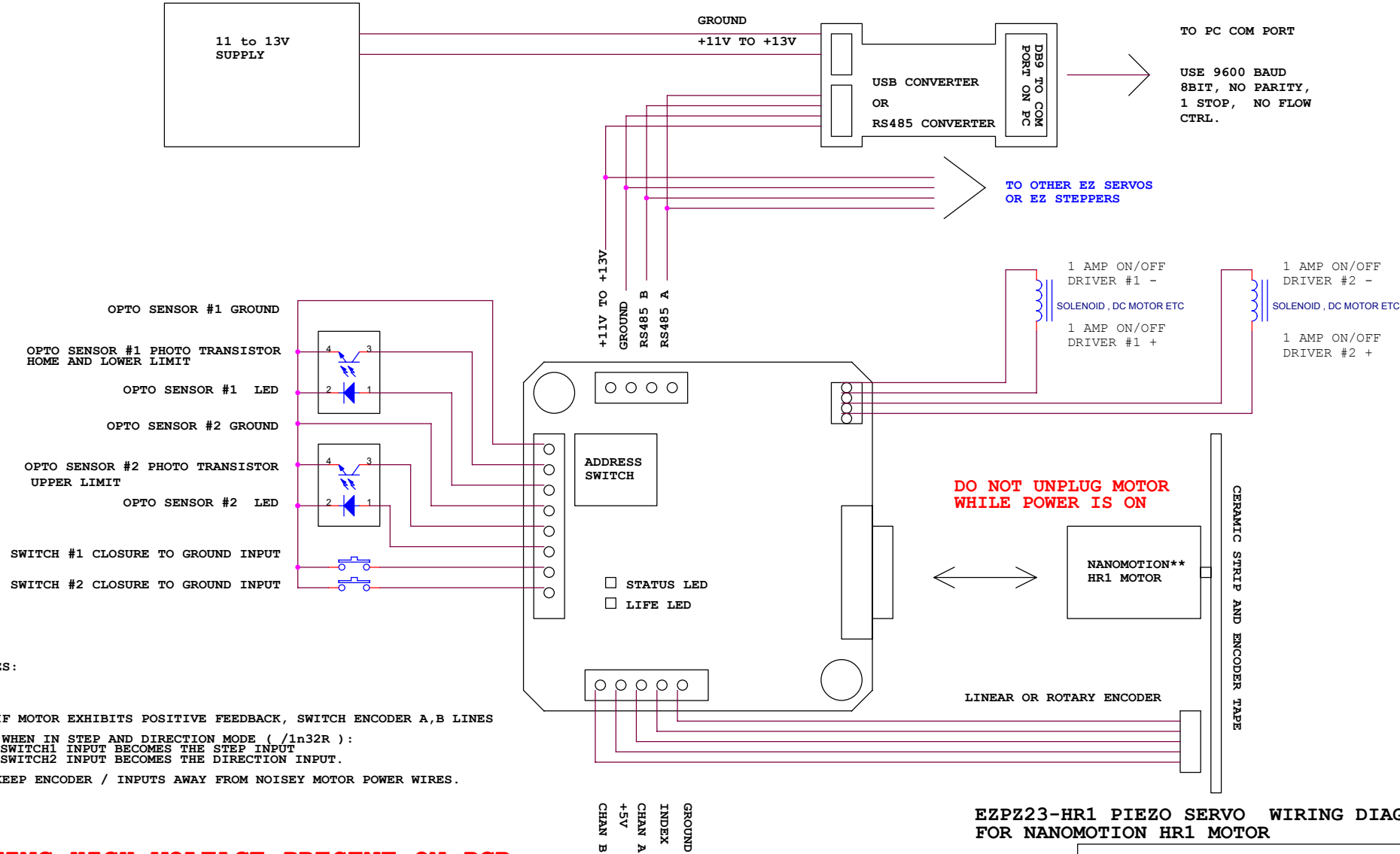


PRELIMINARY



NOTES:

- 1) IF MOTOR EXHIBITS POSITIVE FEEDBACK, SWITCH ENCODER A,B LINES
- 2) WHEN IN STEP AND DIRECTION MODE ( /ln32R ): SWITCH1 INPUT BECOMES THE STEP INPUT SWITCH2 INPUT BECOMES THE DIRECTION INPUT.
- 3) KEEP ENCODER / INPUTS AWAY FROM NOISEY MOTOR POWER WIRES.

**WARNING HIGH VOLTAGE PRESENT ON PCB**

\*\* THIS DRIVE IS NOT APPROVED BY NANOMOTION.

NOTE: ENCODER SIGNALS MUST BE >4.5V HIGH LEVEL. THIS MAY REQUIRE EXTERNAL PULLUPS.

COPYRIGHT ALLMOTION.COM

**EZPZ23-HR1 PIEZO SERVO WIRING DIAGRAM FOR NANOMOTION HR1 MOTOR**

Title		ALLMOTION.COM EZPZ23-HR1 WIRING DIAGRAM	
Size	Document Number	Rev	
B		A1	
Date:	Tuesday, June 19, 2007	Sheet	1 of 4

## EZPZ23-HR1 ACCESSORIES AND OTHER ELECTRICAL NOTES

## MATING CONNECTORS:

## AMP MTA 100 SERIES

4PIN 22 GA DIGIKEY P/N A23849 (INPUT CONNECTOR)

8PIN 22 GA DIGIKEY P/N A23841 (NEMA23 MOTOR)

8PIN 24 GA DIGIKEY P/N A23820 (NEMA17 MOTOR)

8PIN 26 GA DIGIKEY P/N A23799 (FOR OPTOS)

5PIN 26 GA DIGIKEY P/N A23796 (FOR ENCODER)

T HANDLE CRIMP TOOL DIGIKEY P/N A9982

## OPTO HOME SWITCH:

- 1) "Z" OR HOME COMMAND RUNS MOTOR UNTIL OPTO #1 IS ON FLAG EDGE.
- 2) AN OPTO SWITCH PROVIDED WITH EACH STARTER KIT
- 3) USE TRANSISTOR OPTO THAT HAS  $I_c > 1\text{mA}$  @  $I_F = 20\text{mA}$ .
- 4) EXAMPLES OF ACCEPTABLE OPTOS ARE:

DIGIKEY P/N QVA11134

DIGIKEY P/N H21A1

HONEYWELL HOA1887-012 (IS PREWIRED)

HONEYWELL HOA1870-33 (IS PREWIRED)

OPTEK OPB830W11 (IS PREWIRED)

5) THE OPTO COUPLER LED PIN HAS 200 OHM TO 5V IN SERIES ON THE BOARD. THE 200 OHM CAN BE REMOVED IF DESIRED FOR RUNNING SENSORS THAT REQUIRE DIRECT ACCESS TO 5V. (OR USE ENCODER 5V POWER) THE COLLECTOR OF THE TRANSISTOR HAS A 10K PULLUP TO 5V. THE TOTAL CURRENT DRAWN FROM THE 5V SUPPLY (INCLUDING OPTOS) MUST BE LESS THAN 200mA.

6) ALL INPUTS ARE 0-3.3V ADC INPUTS, THE ONE/ZERO THRESHOLD IS FACTORY SET TO 1.23V, TO BE TTL COMPATIBLE, AND CAN BE CHANGED BY SOFTWARE COMMAND.

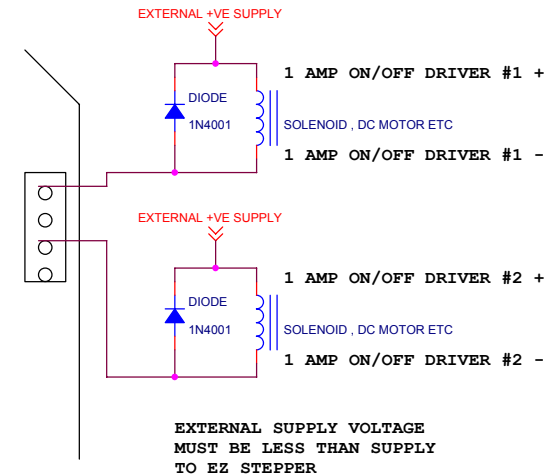
## ON/OFF DRIVERS ALTERNATE WIRING DIAGRAM

1) ON/OFF DRIVERS RATED AT 2 AMPS PEAK, 1 AMP CONTINUOUS.

2) THE NEGATIVE PIN OF THESE DRIVERS IS ACTUALLY AN OPEN COLLECTOR TYPE OUTPUT THAT PULLS DOWN TO GROUND. IT IS POSSIBLE TO DRIVE LOADS THAT ARE OF A DIFFERENT VOLTAGE THAN THE SUPPLY VOLTAGE, BY CONNECTING THE POSITIVE SIDE OF THE LOAD TO AN EXTERNAL SUPPLY, AND THE NEGATIVE SIDE TO THE -VE OUTPUT PIN. HOWEVER, IN CASE THIS IS DONE IT IS NECESSARY TO PLACE AN EXTERNAL "FREE WHEELING" DIODE ACROSS ANY INDUCTIVE LOADS. EXTERNAL SUPPLY VOLTAGE MUST BE LESS THAN SUPPLY VOLTAGE TO EZ STEPPER

3) EXTERNAL DIODE IS NOT NECESSARY IF BOTH SIDES OF LOAD ARE WIRED BACK TO THE EZ STEPPER.

## ON/OFF DRIVERS ALTERNATE WIRING DIAGRAM



WARNING HIGH VOLTAGE PRESENT ON PCB

SEE NEXT PAGE FOR DIMENSIONAL INFO

COPYRIGHT ALLMOTION.COM

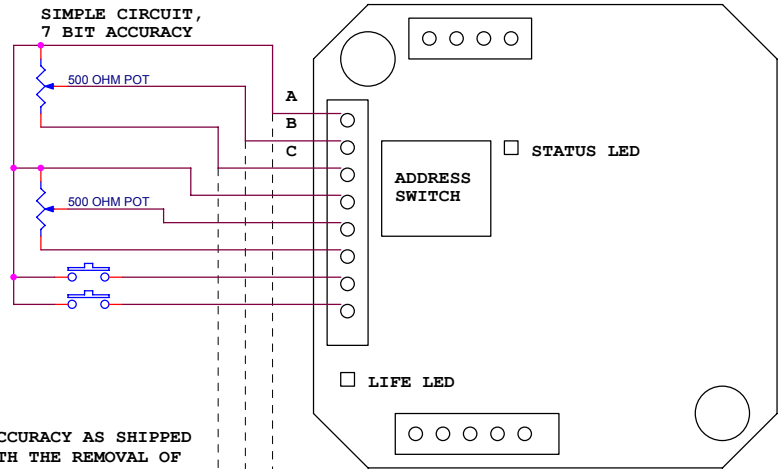
Title		
ALLMOTION.COM EZPZ23-HR1 WIRING DIAGRAM		
Size	Document Number	Rev
B		A1
Date:	Tuesday, June 19, 2007	Sheet 2 of 4

**PRELIMINARY**

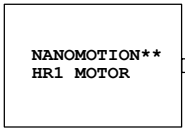
FEEDBACK POT1 GROUND  
 FEEDBACK POT1 WIPER  
 FEEDBACK POT1 POWER

POSITION COMMAND POT2 GROUND  
 POSITION COMMAND POT2 WIPER  
 POSITION COMMAND POT2 POWER

SWITCH #1 CLOSURE TO GROUND INPUT  
 SWITCH #2 CLOSURE TO GROUND INPUT



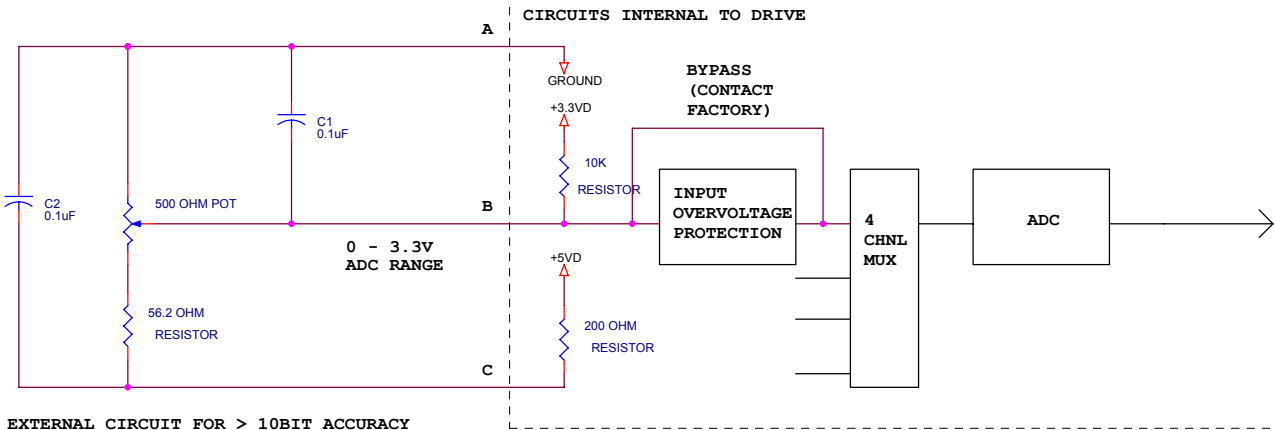
**DO NOT UNPLUG MOTOR WHILE POWER IS ON**



**NOTES:**

- 1) ALL 4 INPUTS ARE ANALOG INPUTS
- 2) ADC's VALUES RANGE FROM 0-16368. THE ACCURACY AS SHIPPED IS 7 BIT BUT CAN BE IMPROVED TO >10BIT WITH THE REMOVAL OF THE INPUT PROTECTION CIRCUITRY, CONTACT FACTORY FOR DETAILS
- 3) POTS IN THE RANGE OF 500 OHM - 10K ARE SUGGESTED, LOWER VALUES ARE LESS AFFECTED BY INTERNAL 10K PULLUP. 500 OHM RECOMMENDED.
- 4) IF USING POT FOR POSITION FEED BACK WITH /1N3R MODE, IF MOTOR EXHIBITS POSITIVE FEEDBACK, SWITCH ENDS OF POT
- 5) 10K INTERNAL PULLUP WILL INTERFERE WITH LINEARITY OF POT VOLTAGE, AND MAY NEED TO BE REMOVED - CONTACT FACTORY.
- 6) INPUT OVERVOLTAGE PROTECTION CIRCUITRY MAY NEED TO BE REMOVED FOR >7BIT ACCURACY - CONTACT FACTORY.

**WARNING HIGH VOLTAGE PRESENT ON PCB**



ENHANCED EXTERNAL CIRCUIT FOR > 10BIT ACCURACY

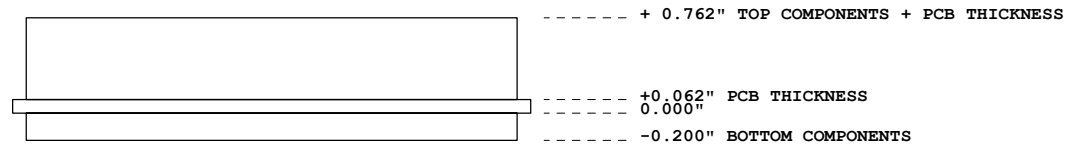
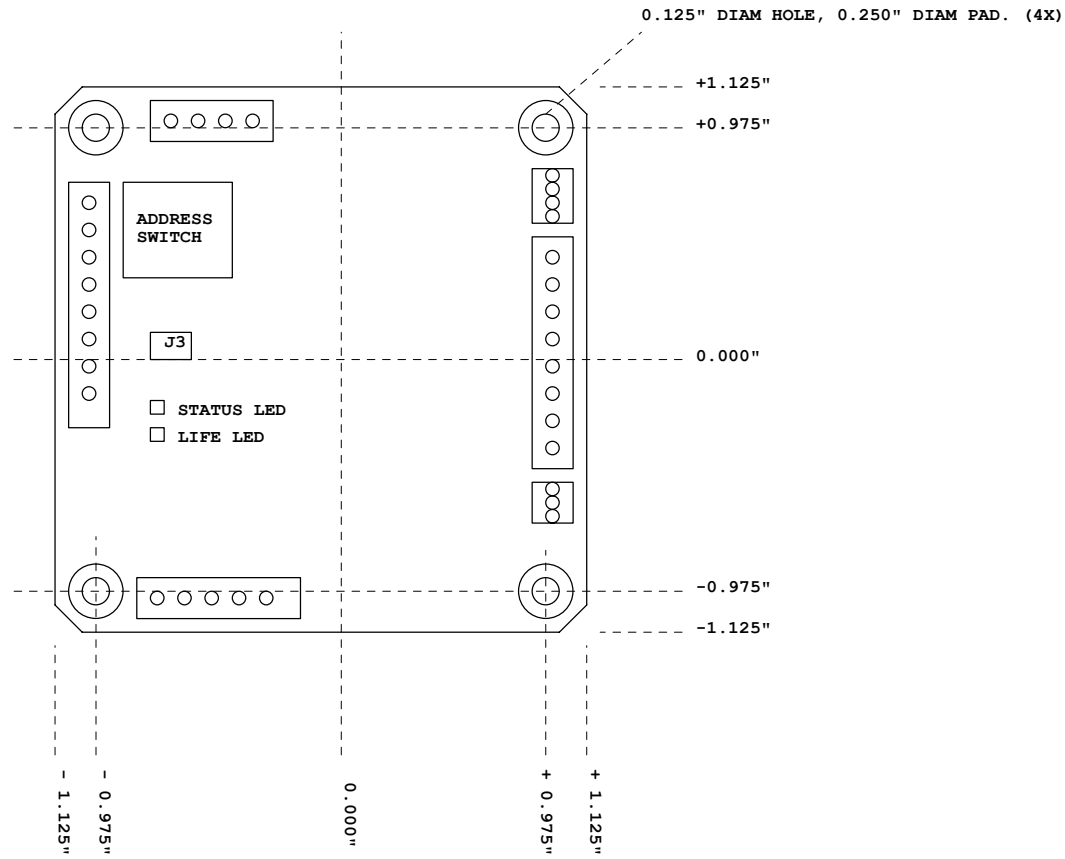
**WIRING DIAGRAM ANALOG INPUT OR POTENTIOMETER FEEDBACK**

Title		
ALLMOTION.COM EZ SERVO WIRING DIAGRAM		
Size	Document Number	Rev
B		A1
Date: Tuesday, June 19, 2007		
Sheet 3 of 4		

\*\* THIS DRIVE IS NOT APPROVED BY NANOMOTION.

**COPYRIGHT ALLMOTION.COM**

PRELIMINARY



**WARNING HIGH VOLTAGE PRESENT ON PCB**

**EZPZ23-HR1 DIMENSIONAL INFORMATION**

**COPYRIGHT ALLMOTION.COM**

Title		
ALLMOTION.COM EZPZ23-HR1 DIMENSIONAL INFO		
Size	Document Number	Rev
B		A1
Date: Tuesday, June 19, 2007		Sheet 4 of 4