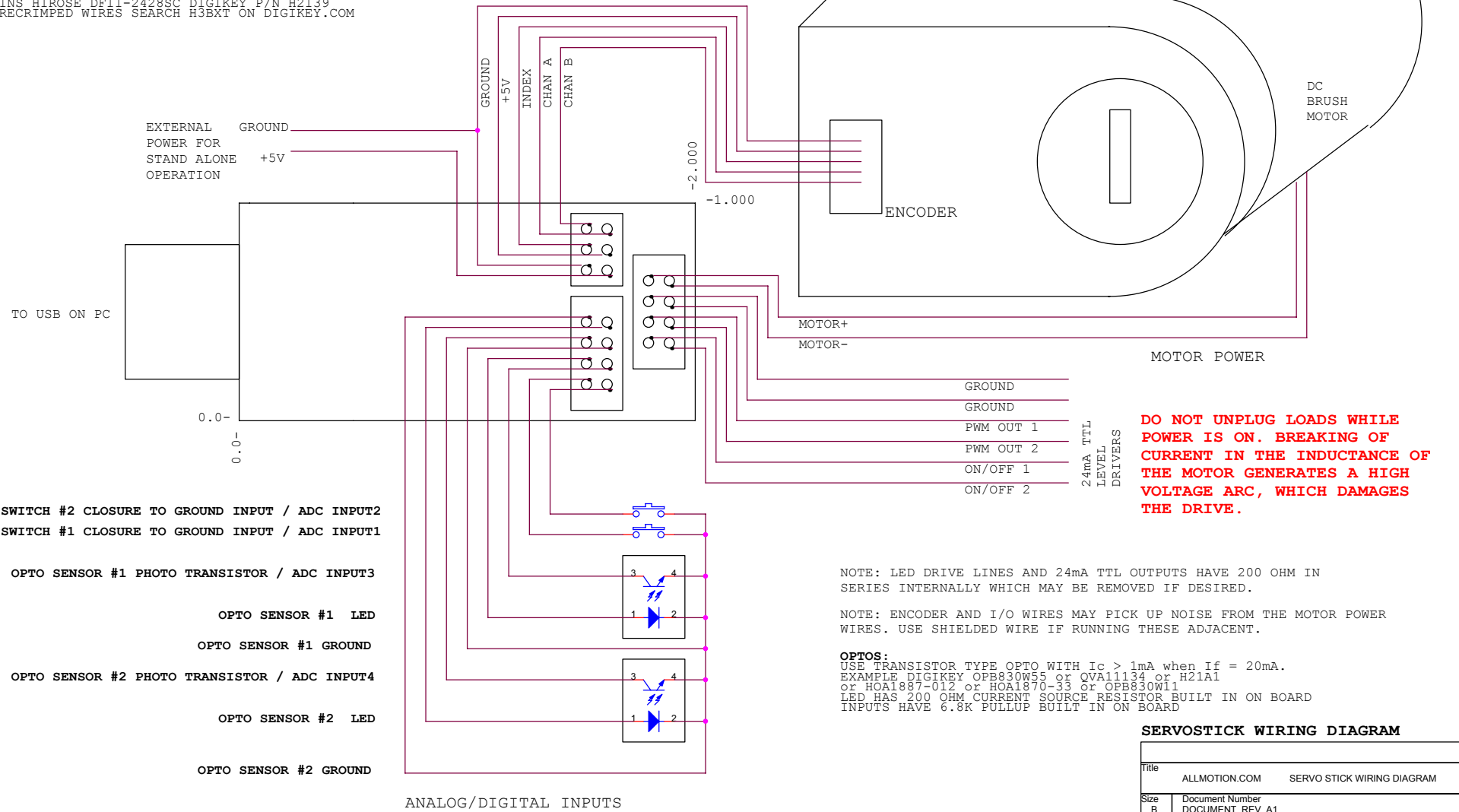


NOTES:
 ENCODER SIGNALS MUST HAVE MINIMUM 4V HIGH LEVEL
 SOME ENCODERS MAY REQUIRE EXTERNAL PULL-UPS TO 5V
 FOR LOW NOISE, DO NOT BUNDLE ENCODER / INPUT WIRES WITH MOTOR WIRES.
 INPUTS HAVE IMPEDANCE EQUIVALENT TO 6.8K OHM PULLUP TO 3.3V
 LED DRIVE LINES HAVE 200 OHM TO 5V INTERNALLY

SERVOSTICK DRIVER + CONTROLLER MODEL

MATING CONNECTORS (SUPPLIED BY ALLMOTION)
 4PIN HIROSE DF11-4DS-2C DIGIKEY P/N H2019
 6 PIN HIROSE DF11-6DS-2C DIGIKEY P/N H2021-ND
 8 PIN HIROSE DF11-8DS-2C DIGIKEY P/N H2022-ND
 PINS HIROSE DF11-2428SC DIGIKEY P/N H2139
 PRECRIMPED WIRES SEARCH H3BXT ON DIGIKEY.COM



DO NOT UNPLUG LOADS WHILE POWER IS ON. BREAKING OF CURRENT IN THE INDUCTANCE OF THE MOTOR GENERATES A HIGH VOLTAGE ARC, WHICH DAMAGES THE DRIVE.

NOTE: LED DRIVE LINES AND 24mA TTL OUTPUTS HAVE 200 OHM IN SERIES INTERNALLY WHICH MAY BE REMOVED IF DESIRED.

NOTE: ENCODER AND I/O WIRES MAY PICK UP NOISE FROM THE MOTOR POWER WIRES. USE SHIELDED WIRE IF RUNNING THESE ADJACENT.

OPTOS:
 USE TRANSISTOR TYPE OPTO WITH $I_c > 1mA$ when $I_f = 20mA$.
 EXAMPLE DIGIKEY OPB830W55 or QVA11134 or H21A1
 or HOA1887-012 or HOA1870-33 or OPB830W11
 LED HAS 200 OHM CURRENT SOURCE RESISTOR BUILT IN ON BOARD
 INPUTS HAVE 6.8K PULLUP BUILT IN ON BOARD

SERVOSTICK WIRING DIAGRAM

Title		ALLMOTION.COM SERVOSTICK WIRING DIAGRAM	
Size	Document Number	Rev	
B	DOCUMENT_REV_A1	A4	
Date:	Sunday, January 30, 2011	Sheet	1 of 1

COPYRIGHT ALLMOTION.COM